

∅ 200 BG series

mmx80mm



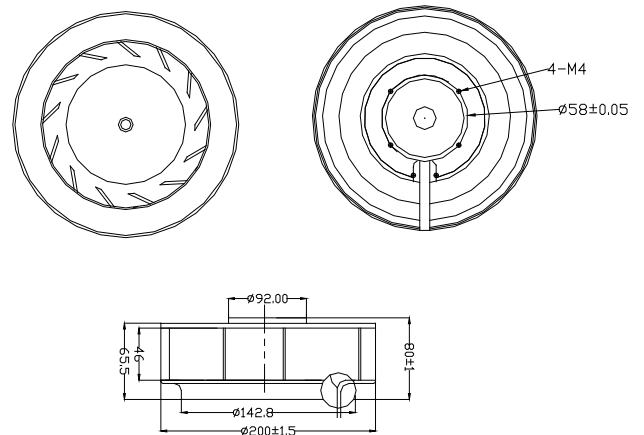
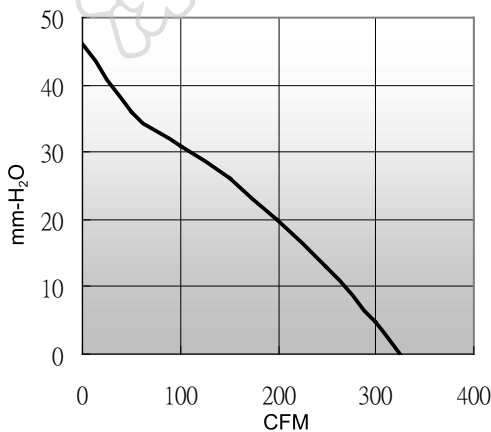
General Specifications

- Motor : 8 Poles brushless DC motor
- Frame & Impeller : Al die casting & plastic
- Storage temperature : -40°C to +75°C
- Operating temperature : -10°C to +70°C

Major Characteristic Parameters

Model	Bearing System	Rated Voltage	Operating Voltage Range	Rated Current	Rated Speed	Maximum Air Flow		Maximum Static Pressure		Sound Level	Weight
Part NO.	B / S / F	V	V	A	RPM	m ³ /min	CFM	mm-H ₂ O	In-H ₂ O	dBA	Kg
BGN20080B28U	B	28	20.0~32.0	8.5	4,300	12.74	450	114.3	4.50	80	1.86
BGN20080B48U	B	48	36.0~56.0	5.2	4,300	12.74	450	114.3	4.50	80	1.86

*Bearing system B: Two Ball Bearing F: Fluid Bearing S: Sleeve Bearing



unit:mm